

# Installation & User Guide

## WARNING AND CAUTION

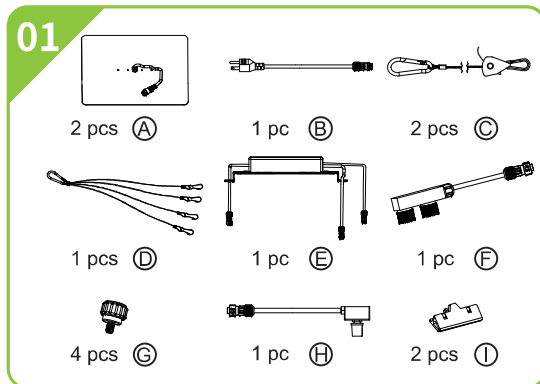
Please read the following instructions carefully before using this grow light fixture:

- Make sure main power is switched off before connecting the lighting fixture.
- Do not connect or disconnect the LED fixture underload.
- Always allow for a cool down period of at least 30 minutes before touching the LED bars.
- Please DO NOT use this product outdoors.
- Connect the cables according to local rules, safety regulations and electrical code.
- Mounting and installing of the LED fixture may only be executed by a certified service person, in accordance with the applicable local laws and regulations.

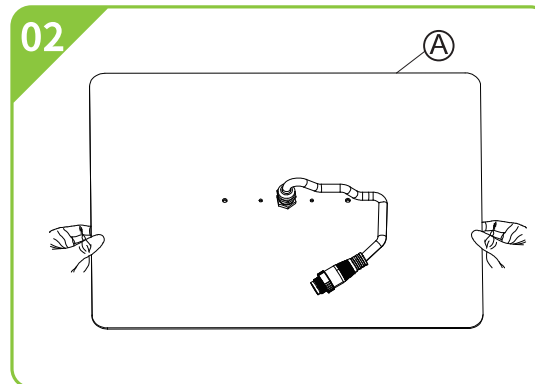
## ⚠ WARNING PRIOR TO INSTALLATION

Read the entire instruction prior to installation. Before starting to install this fixture or to remove a previous fixture, disconnect the power by turning off the circuit breaker or by removing the fuse at the fuse box.

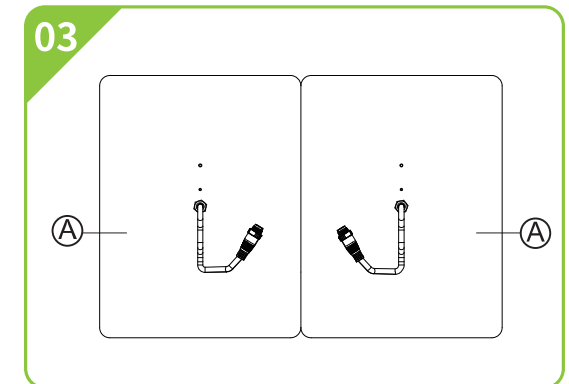
This device complies with part 15 of the FCC Rules. Operation is subject to the following two conditions: (1) This device may not cause harmful interference, and (2) this device must accept any interference received, including interference that may cause undesired operation.



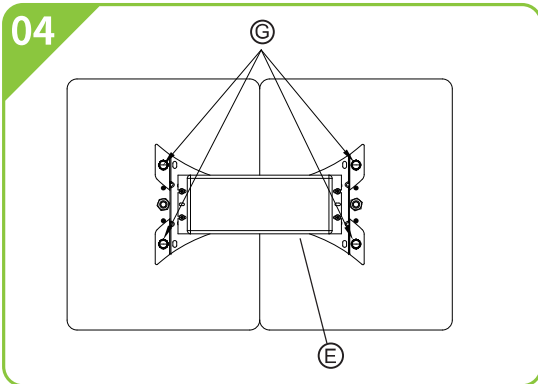
1. Package content.



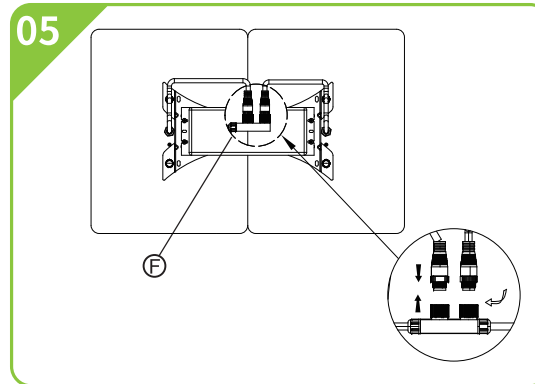
2. Place the light modules A on a surface for assembly.



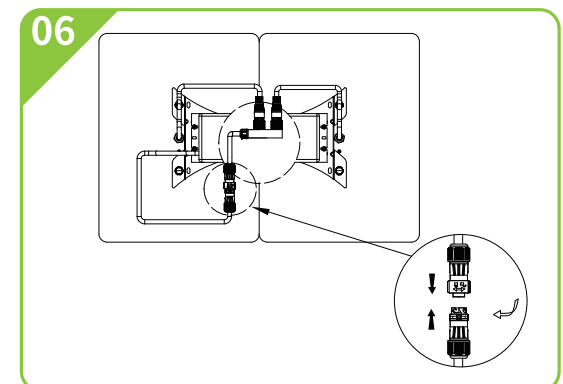
3. Put the light modules A side by side.



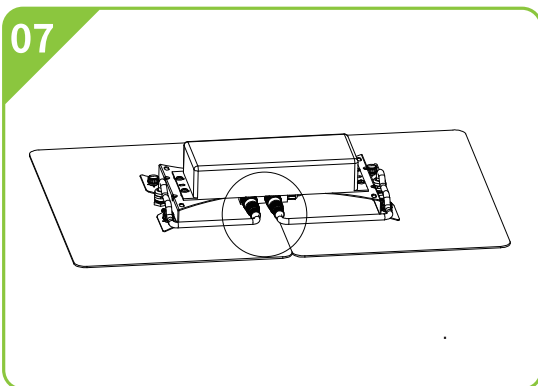
4. Assemble the power drive (E) to the back of the light modules by screwing in 4 screws (G) to the assigned location.



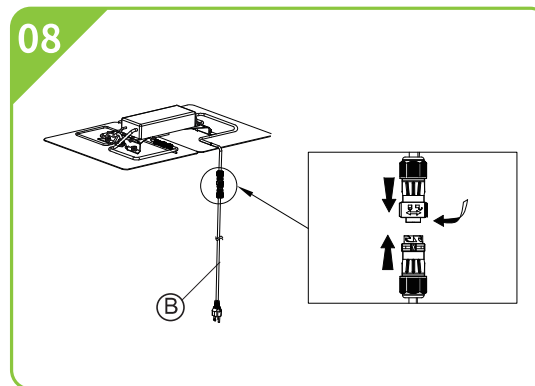
5. Connect the cords on the light modules (A) to the connector (F), and then place the connector (F) underneath the power drive (E).




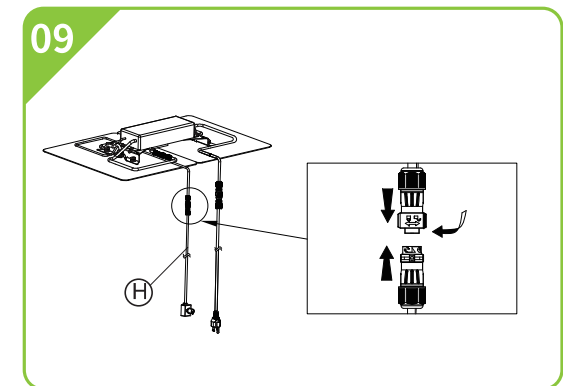
6. Connect the connector (F) to the cord linked to the power drive (E).




7. Reorganize the connected cords.

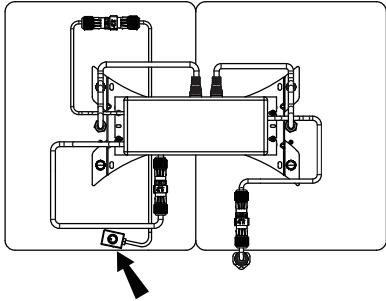


8. Connect the power cord (B) to the assembled fixture. Dial the switch to “” position to lock the cable.



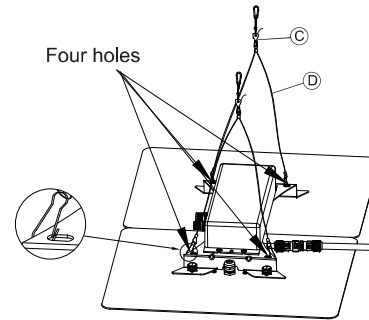
9. Connect the dimmer cord (H) (the thinner cord) to the assembled fixture. Dial the switch to “” position to lock the cable.

10

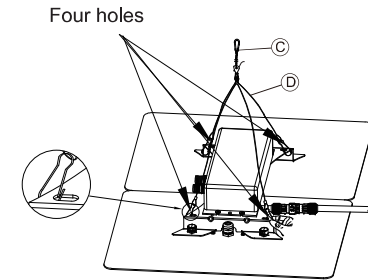


10. Place the dimmer on the light module.

11

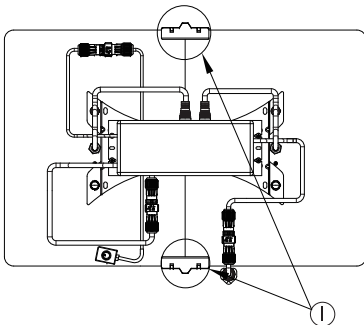


OR



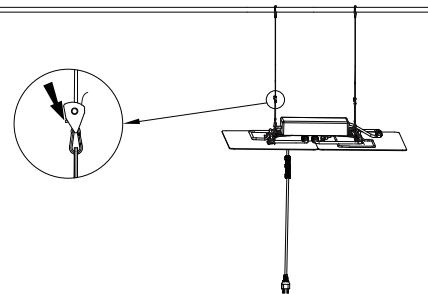
11. Hook the hanging cables (D) to the fixture and the adjustable hanging rope(s) (C) to the cables (D).

12



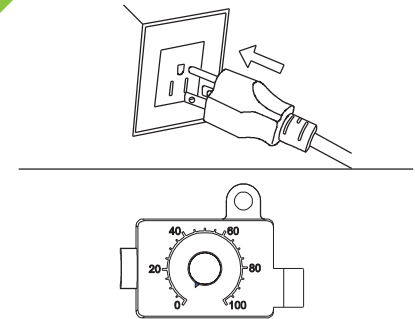
12. Clamp the clips (I).

13



13. Hang the fixture to the desired installation location.

14



14.1 Plug in the power cord.  
14.2 Set the dimmer knob to the desired dimming level.