

# LED Flowering & Fruiting Light

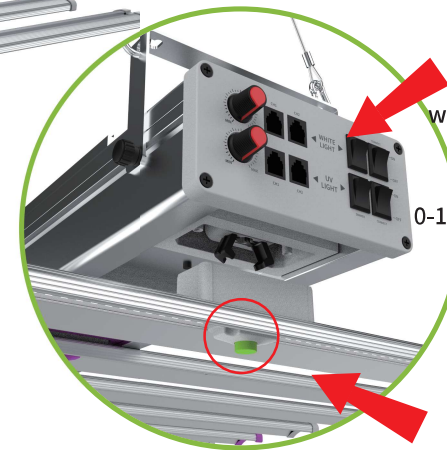
electrivo

## 760W



UV Module

**WARNING**  
EXPOSURE TO UVB LIGHT CAN DAMAGE SKIN OR EYES.  
TURN LIGHT OFF BEFORE ENTERING THE ROOM - FOR  
USE ON PLANTS ONLY.



**Precise Control**  
white light and UV light  
can be controlled  
independently  
0-10V dimming available  
individually or  
master-slave  
with RJ11 cord

**LOCK!!!**  
Patent design



### Intended Applications

(Suitable for flowering growth, the late flowering.)

- Indoor Farming.
- Vertical Farming.

### Features & Benefits

- Constant current drive, long lifetime.
- Full-spectrum, similar like sun light. Longer exposure time, increase more output.
- Including independent UV module, suitable for supplement light for plant at different cycle of growth, accelerate plant growth.
- Surface IP65 waterproof rating, suitable for high humidity environment application.
- 0-10V dimming; power factor >0.9.
- Flicker free, good for eyes.
- Suspending and ceiling mounting optional, lifting height could be 6in-48in.
- Application environment: mainly used in indoor cultivation.

- One-click press-type assembly, easy to install and upgrade.
- Upto 100pcs of light can be cascade dimmed via network cable.
- With UV light, it could bring the following benefits.
- Effectively increase the density of trichomes, the content of total flavonoids, and inhibit the development of molds and fungi, and improve the disease resistance of plants effectively.
- Effectively increase the content of tetrahydrocannabinol (THC) and increase the yield.
- Help the plants increase the ability to resist pests.
- Sustainable packaging to minimize packaging and transportation cost.
- Adjustable hanging cable, meet different height requirements during different plant period
- Elastic surround Mechanical and electrical connecting, much more safer and reliable.
- Independent external driver, easy installation and upgrade.
- Separated light module design, DIY according to the space and environment.
- Modular design to maximize sku while minimizing redundant inventory.

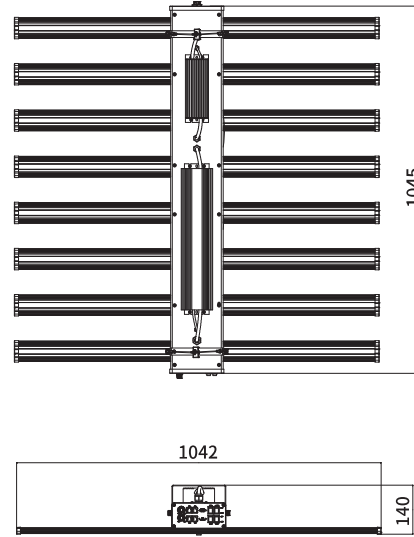
# LED Flowering & Fruiting Light

760W PPE 2.8μmol/J

## Features & Benefits

Input Power	660W white light and 100W UV light
Photosynthetic photon flux	2000μmol/s
Luminous Efficacy	2.8μmol/J
Viewing Angle	110°
CRI	>88
Input Voltage	100-277Vac 50/60Hz
Amp Draw	6.83A@120V, 3.80A@220V, 3.50A@240V, 3.04A@277V
PF	>0.9
THD	<20%
Driver Surge protection	6KV
Dimming	0-10V
LED Type	3000K+5000K 310nm+400nm+660nm+730nm(Samsung/Seoul Diodes)
Housing	Aluminum Alloy
Housing Color	Silver
Heat Output	2618 BTU
Operating Temperature	-10~40°C
Operating Humidity	10%-90% RH
Storage Temperature	-25~60°C
Storage Humidity	10%-90% RH
Warranty Time	5years
N.W (KG)	13.5Kg/29.76LBS
G.W (KG)	15.5Kg/34.17LBS
Packing Dimension(mm)	1162*245*310mm

## Dimension Drawing



## Dimensional Drawing

Length (L)	1045mm (41.1")
Width (W)	1042mm (41.0")
Height (H)	140mm (5.5")

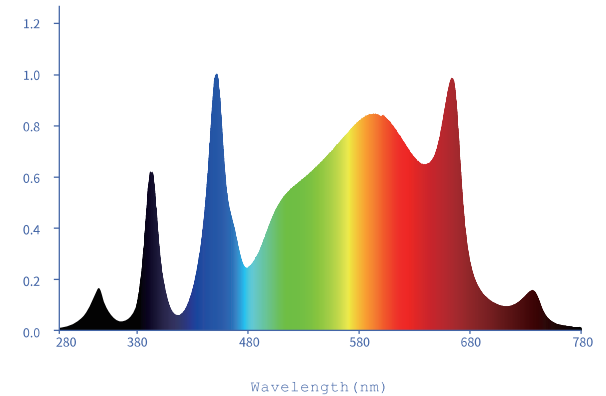
## Recommended Application

Multi-layer	4-5FT wide benches, 4-6 in from canopy
Room	footprint 5x5FT Flowering, 6x6FT Vegetative
Tent	footprint 5x5FT Flowering, 6x6FT Vegetative

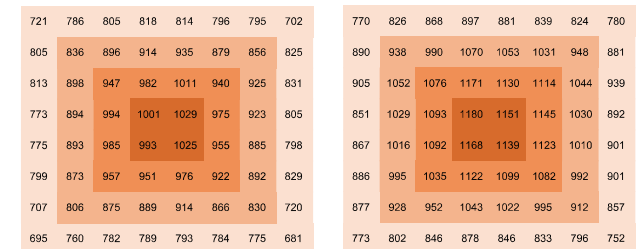
## Performance Data

Model	Input Voltage	Input Power	PPF	PPE	ETL	DLC	FCC
GL8-H10-760-C66-A1D	100-277Vac	760W	2000μmol/s	2.8μmol/J	Yes	Yes	Yes

## Spectral Distribution

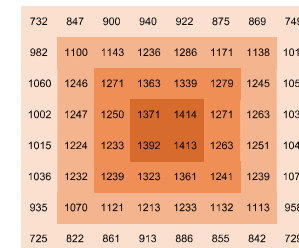


## PPFD Reading - 4FT to 4FT area



0.6m 24"

0.45m 18"



0.3m 12"