

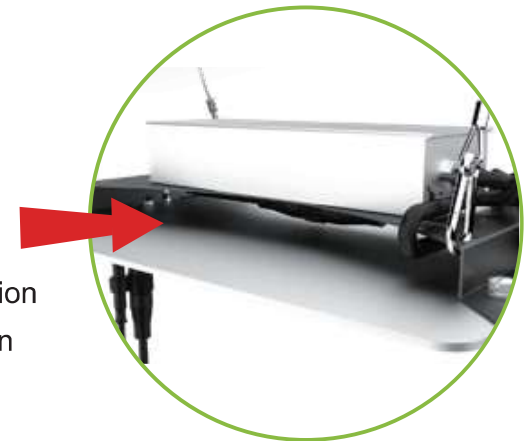
# LED GROW LIGHT 225W

electriv 



## Patent design

- Thermoelectric separation
- Efficient heat dissipation



## Features & Benefits

- New nanomaterial-made body for enhanced thermal conductivity and reduced product weight and volume.
- Constant current driver with high power factor larger than 0.9. Flicker free for consistent lighting.
- Dimmable feature plus durable quality with an average life of 35000 hours.
- Sunlike full spectrum to provide quality light to maximize yield (Recommended fixture suspension height: 6"- 48").
- IP65 rated for use under environments with high humidity.
- Easy, tool-free installation to save time and labor.



## Multi-purpose Applications

Versatile application for uses in rooms with low ceiling, vertical racks, shelving units, tents, or more.

## 225W PPE 2.1 $\mu\text{mol}/\text{J}$

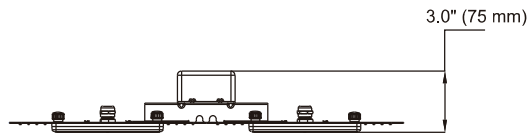
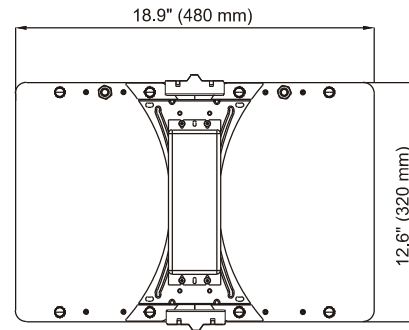
### Features

Input Power	225W
Photosynthetic Photon Flux (PPF)	472 $\mu\text{mol}/\text{s}$
Photosynthetic Photon Efficacy (PPE)	2.1 $\mu\text{mol}/\text{J}$
Viewing Angle	110°
Color Rendition Index (CRI)	>82
Input Voltage	100-277V AC 50/60 Hz
Amp Draw	1.93A@120V, 1.12A@220V, 1.03A@240V, 0.90A@277V
Power Factor	>0.9
Total Harmonic Distortion (THD)	<20%
Driver Surge Protection	6KV
Dimmable	No
LED Type & Spectrum	3000K+5000K+660nm+730nm (Samsung/Seoul Diodes)
Housing	Aluminum Alloy + Steel
Housing Color	White + Black + Silver
Heat Output	287 BTU
Operating Temperature	14 to 104°F (-10 to 40°C)
Operating Humidity	10%-90% RH
Storage Temperature	-13 to 140°F (-25 to 60°C)
Storage Humidity	10% to 90% Relative Humidity
Warranty Duration	3 years
Net Weight	2.75 kg/6.06 lbs
Gross Weight	3.35 kg/7.38 lbs
Packaging Dimension	15.9" x 11.0" x 7.2"

### Product Certifications

FCC
Yes

### Dimensional Drawing



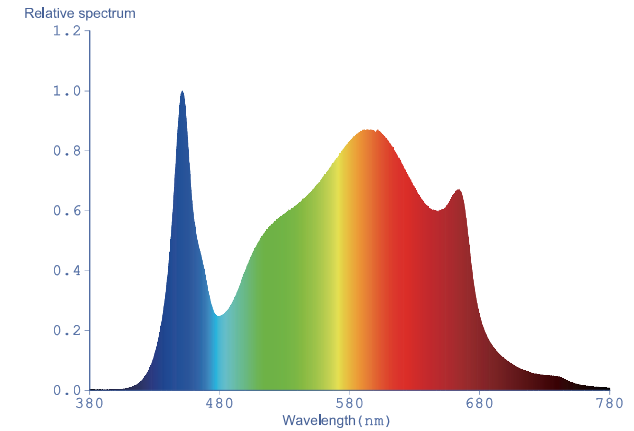
### Dimension

Length(L)	18.9" (480 mm)
Width(W)	12.6" (320 mm)
Height(H)	3.0" (75 mm)

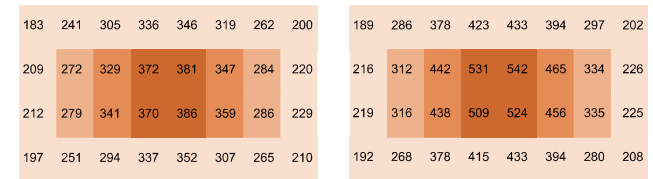
### Recommended Application

Tent	footprint 2x2FT Flowering, 3x3FT Vegetative
------	---

### Spectral Distribution

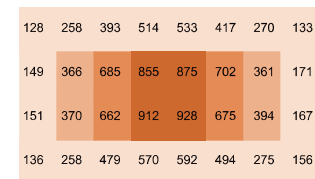


### Photosynthetic Photon Flux Density (PPFD) Maps



At 24" (0.6 m)

At 18" (0.45 m)



At 12" (0.3 m)