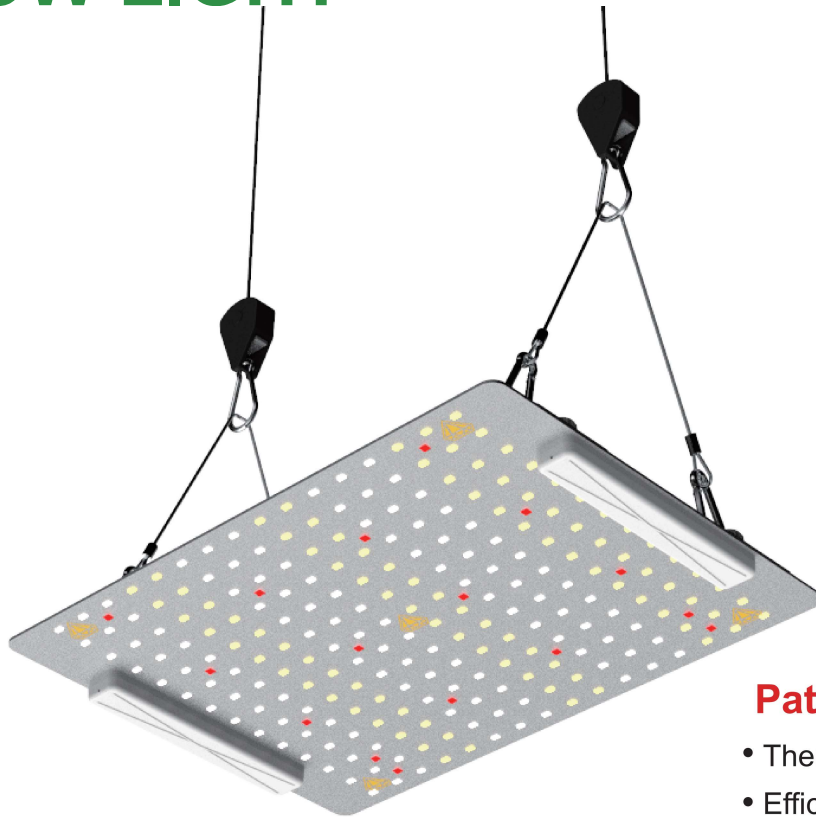


LED GROW LIGHT

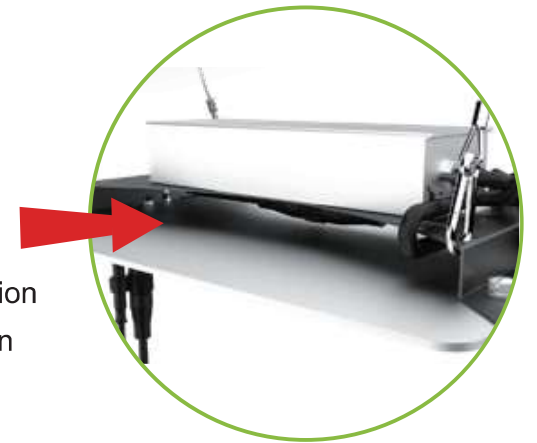
105W

electrivo



Patent design

- Thermoelectric separation
- Efficient heat dissipation



Features & Benefits

- New nanomaterial-made body for enhanced thermal conductivity and reduced product weight and volume.
- Constant current driver with high power factor larger than 0.9. Flicker free for consistent lighting.
- Dimmable feature plus durable quality with an average life of 35000 hours.
- Sunlike full spectrum to provide quality light to maximize yield (Recommended fixture suspension height: 6"- 48").
- IP65 rated for use under environments with high humidity.
- Easy, tool-free installation to save time and labor.



Multi-purpose Applications

Versatile application for uses in rooms with low ceiling, vertical racks, shelving units, tents, or more.

105W PPE 2.1 $\mu\text{mol}/\text{J}$

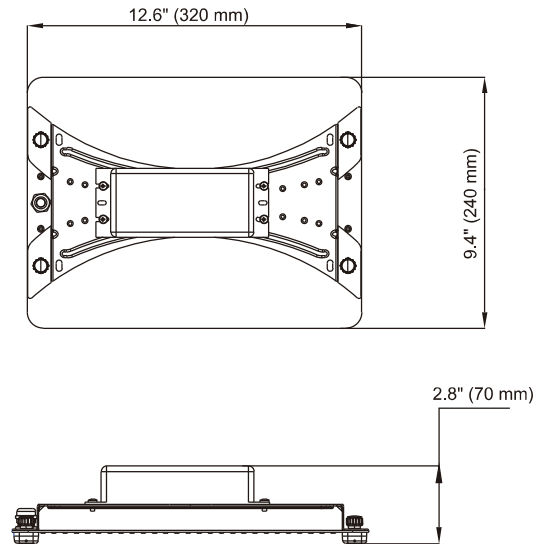
Features

Input Power	105W
Photosynthetic Photon Flux (PPF)	220 $\mu\text{mol}/\text{s}$
Photosynthetic Photon Efficacy (PPE)	2.1 $\mu\text{mol}/\text{J}$
Viewing Angle	110°
Color Rendition Index (CRI)	>82
Input Voltage	100-277V AC 50/60 Hz
Amp Draw	0.88A@120V, 0.50A@220V, 0.46A@240V, 0.40A@277V
Power Factor	>0.9
Total Harmonic Distortion (THD)	<20%
Driver Surge Protection	6KV
Dimmable	No
LED Type & Spectrum	3000K+5000K+660nm+730nm (Samsung/Seoul Diodes)
Housing	Aluminum Alloy + Steel
Housing Color	White + Black + Silver
Heat Output	147 BTU
Operating Temperature	14 to 104°F (-10 to 40°C)
Operating Humidity	10%-90% RH
Storage Temperature	-13 to 140°F (-25 to 60°C)
Storage Humidity	10% to 90% Relative Humidity
Warranty Duration	3 years
Net Weight	1.75 kg/3.90 lbs
Gross Weight	2.30 kg/5.09 lbs
Packaging Dimension	15.0" x 11.0" x 4.6"

Product Certifications

FCC
Yes

Dimensional Drawing



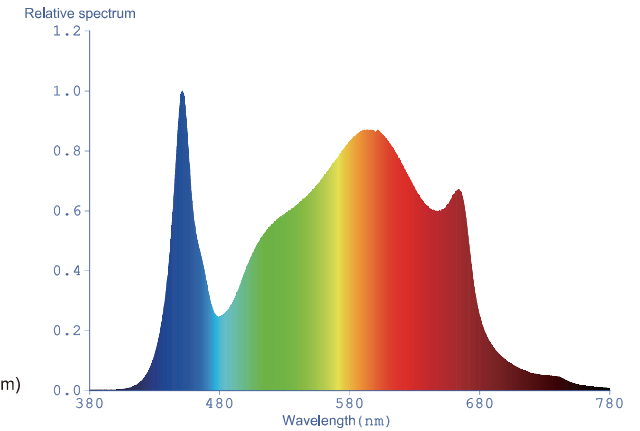
Dimension

Length(L)	12.6" (320 mm)
Width(W)	9.4" (240 mm)
Height(H)	2.8" (70 mm)

Recommended Application

Tent	footprint 1.5x1.5FT Flowering, 2x2FT Vegetative
------	---

Spectral Distribution



Photosynthetic Photon Flux Density (PPFD) Maps

